

# SCM Series

## Common Mode Filter

### Size 2520



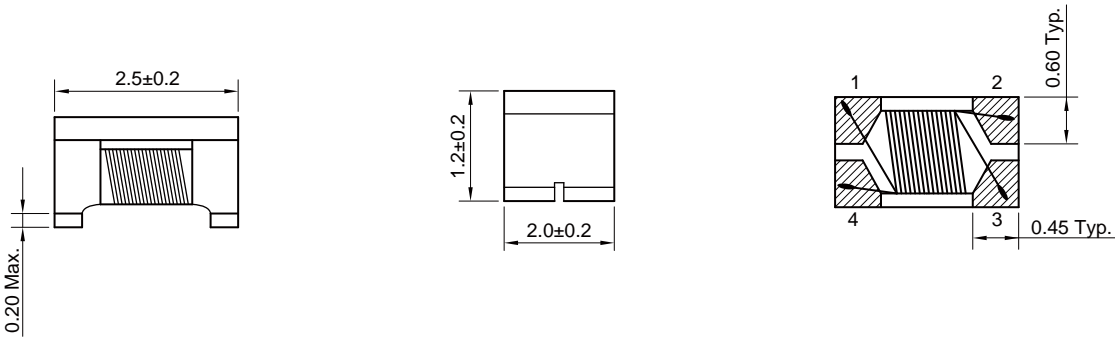
#### FEATURES

- High common mode impedance for outstanding noise suppression performance.
- Realize small size and low profile. 0\*0\*2mm
- Operating temperature -40~+125 C
- Excellent solderability

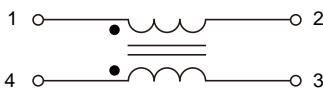
#### APPLICATIONS

- USB2.0 lines for PC, TV, Peripheral equipments
- Standard signal lines
- Audio lines

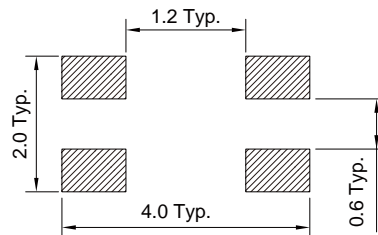
#### Dimensions: [mm]



#### Schematic:



#### Land Pattern: [mm]



#### Electrical Properties:

Part Number	Inductance (µH)	Inductance Tolerance (%)	DC Resistance (mΩ)	Common Mode Impedance (Ω)	Common Mode Impedance Tolerance (%)	Common Mode Impedance @ 100MHz (Ω)
SCM2520-301R	300	±25%	0.25	400	50	10
SCM2520-451R	450	±25%	0.30	350	50	10
SCM2520-601R	600	±25%	0.38	330	50	10
SCM2520-102R	1000	±25%	0.50	240	50	10

## Typical Electrical Characteristics:

